







## Fabrication Specialists

Bendel Tank & Heat Exchanger is a leading provider of custom engineered and fabricated solutions for liquids processing, storage and handling across a broad range of industries including Chemical, Oil & Gas, Petrochemical, Pharmaceutical, Food & Beverage, Paint, Textile, Water/Wastewater Treatment, and others.

In partnership with its new parent company, TransTech Energy, Bendel delivers custom fabricated process manufacturing equipment and pressure vessels per UL, API or ASME—backed by over six decades of experience.

*Where engineering  
meets fabrication*



**McGregor, TX**  
170,000 square foot fabrication facility



**Charlotte, NC**  
65,000 square foot fabrication facility



**Rocky Mount, NC**  
25,000 square foot fabrication facility

## Locations



### McGregor, Texas

TransTech Energy, LLC  
**Fabrication Facility**  
2201 Judith Drive  
McGregor, TX 76657  
Tel.: (+1) 254-840-3355

### Houston, Texas

TransTech Energy, LLC  
363 N Sam Houston Pkwy  
Houston, TX 77060  
Tel.: (+1) 888.206.4563

### Rocky Mount, N. Carolina

TransTech Energy, LLC  
**Fabrication Facility**  
PO Box 8197  
Rocky Mount, NC 27804  
Tel.: (+1) 252-446-4357

### Charlotte, NC

Bendel Tank & Heat Exchanger  
**Fabrication Facility**  
4823 N. Graham Street  
Charlotte, NC 28269  
Tel.: (+1) 866-596-5112

### Chagrin Falls, Ohio

Bridge Industries, LLC  
7181 Chagrin Road  
Venture Point, Suite 7  
Chagrin Falls, OH 44023  
Tel.: (+1) 440-893-9070

### Wilmington, N. Carolina

TransTech Energy, LLC  
1430 Commonwealth Drive  
Wilmington, NC 28403  
Tel.: (+1) 252-301-2395

### Missoula, MT

TransTech Energy, LLC  
3080 Charleston St.  
Missoula, MT 59804  
Tel.: (+1) 406-240-9152





## Capabilities

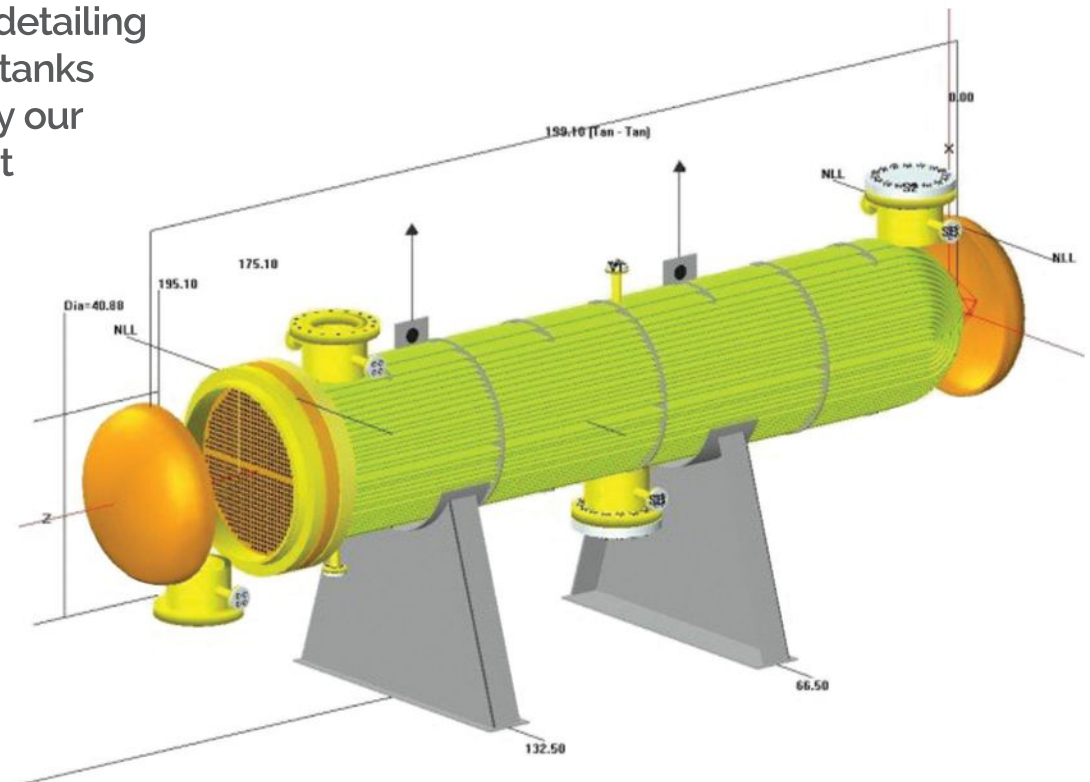
- ASME U, U2, U3, and S Certifications
- NBIC Certification
- TEMA Class R, C & B
- API-660, API-650, API-620
- UL-142 Single and Double Wall
- NFPA-22

## Materials

- Carbon Steel
- Austenitic Stainless Steel - 304, 310, 316L, 317L, 321, 347
- Super Austenitic Stainless Steel - ALLOY 20, 904L, AL6XN
- Duplex Stainless Steel - 2205, 2507
- HASTELLOY - C22, C276, C2000
- Other Nickel Alloys - Nickel 200/201, Monel 400

## Engineering & Design Software

- COMPRESS: Mechanical design of Pressure Vessels, Reactors, and Shell & Tube Heat Exchangers
- HTRI: Thermal analysis of Shell & Tube Heat Exchangers
- AME Tank - Rapid configuration, design, and detailing of above-ground API-650 & API-620 storage tanks
- CUSTOM "In-House" programs: Developed by our experienced engineering staff for the efficient creation of Bill of Materials and Customer Quotations
- Nozzle Pro for FEA
- Inventor
- AutoCAD Plant 3D

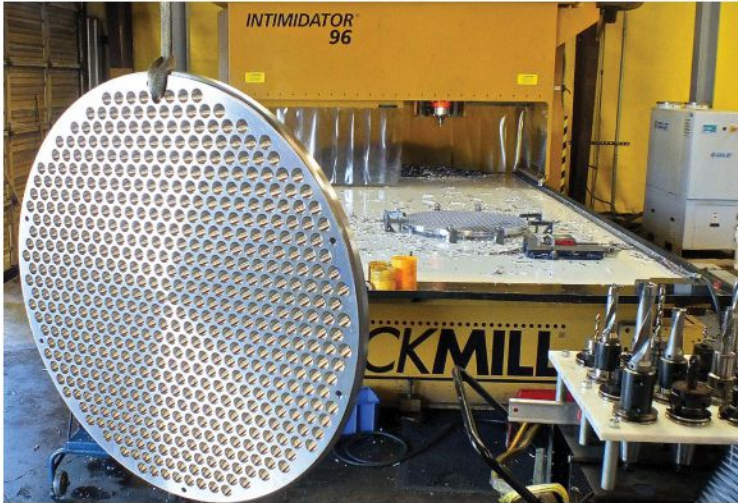




## Services

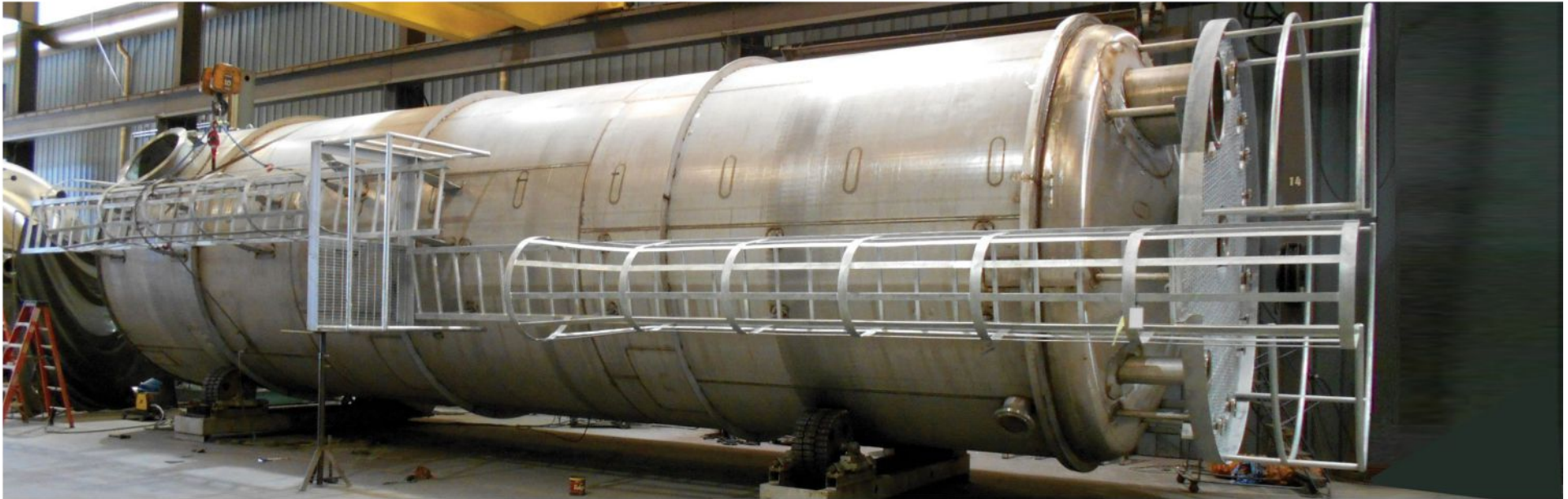
- Design & Engineering
- ASME Fabrication
- On-site NDE (RT & PAUT)
- Vessel & Equipment Storage & Staging
- Logistics/Permitting, Heavy Hauling & Delivery
- Tank Set & Installation
- Commissioning & Startup
- Contract In-House Machining, Milling and Tubesheet Drilling Capabilities
- R-Stamp Repair & Modification - Shop & Field
- In-field Maintenance & Upgrades
- In-field Consultative Trouble-Shooting
- Training





## Fabrication Equipment

- CNC Cutting tables - plasma & oxy
- (4) plate rolls - 6', 10', 12' and 16' - up to 3.25"
- TSAM – tubular seam alignment machine
- In-house Blast & Coating facility
- State-of-the-Art CNC high-speed milling and drilling machine designed to provide close tolerance machining
- Quickmill Intimidator 96: Superior solution for large part machining and drilling accuracy that provides a powerful, precise tool that performs flawlessly time after time. Bed size of 96" x 185-1/2"
- Overhead cranes - over 600,000 lbs lifting capacity
- MIG, TIG & SAW welding machines
- Angle rolls
- 1/2" x 12' 300 ton press brake
- 3/8" x 17' circle shear
- 16' long cold wire TIG seam welder



## API-650 & API-620 Storage Tanks

Bendel manufactures the highest quality storage tanks, engineered and fabricated in accordance with ASME, API-650, API-620, and UL-142 single and double wall specifications.

Our unique manufacturing process allows us to seam weld plates up to 192" long with 100% X-ray quality, resulting in fewer circumferential welds and an overall **superior product at the same or less cost than our competitors**. Materials include:

- PWHT & Stress Relieving
- Internal Coils
- Half-Pipe Jacket
- Dimple Jacket
- Ladders & Platforms
- Insulation







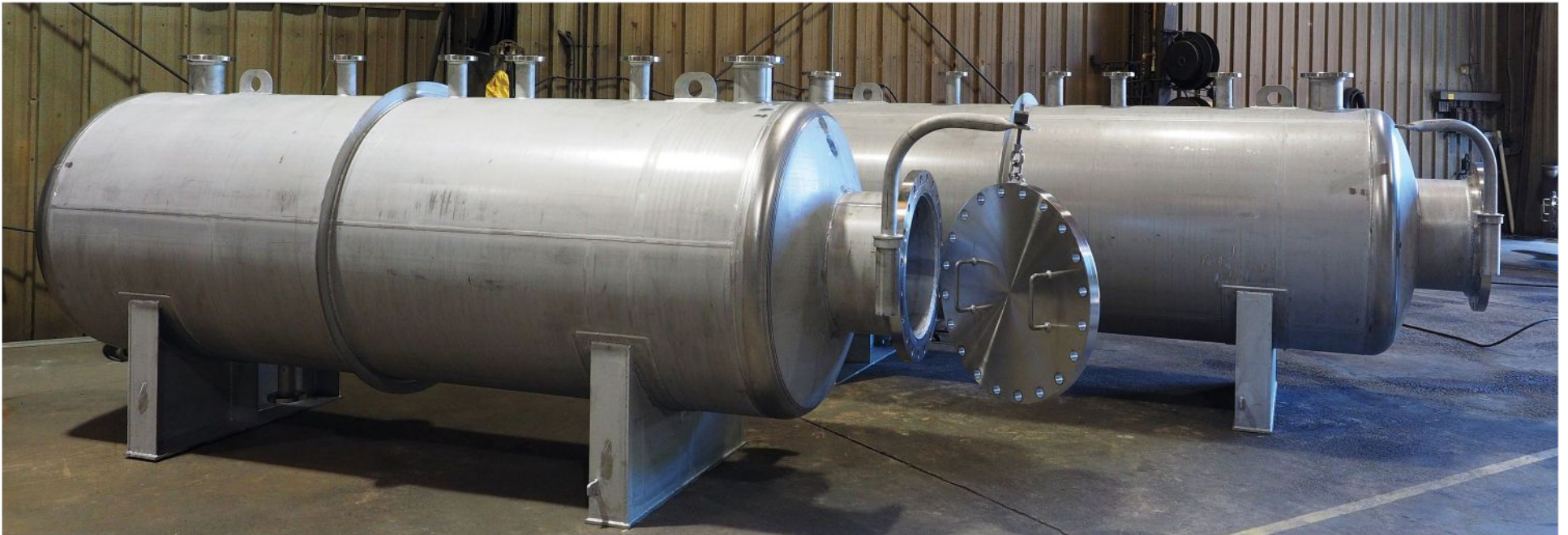


## ASME Pressure Vessels

Bendel delivers the highest quality custom-built Pressure Vessels, built to meet your application requirements. Every vessel we build is engineered and fabricated in strict accordance with ASME Code. Available in **Stainless Steel, Carbon Steel, Nickel Alloy and Duplex**, vessels can also include the following at your option:

- ASME U, U2, U3 Certifications
- Lethal Service
- Internal Coils
- Half-Pipe Jacket
- Dimple Jacket
- PMI - Positive Material Identification
- Pickling and Passivation
- PWHT & Stress Relieving
- Insulation







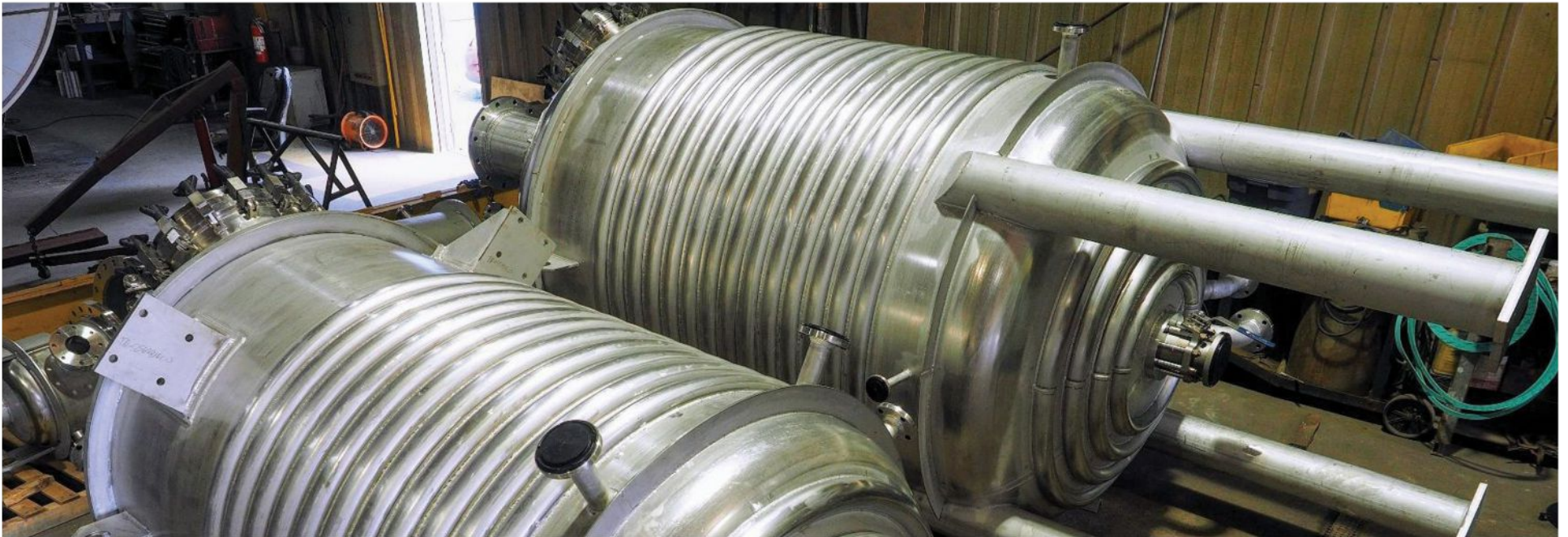


## REACTORS

Bendel delivers custom manufactured Reactors built to your exact specifications. All our Reactors are engineered and fabricated in strict accordance with ASME code and are available in **Stainless Steel, Carbon Steel, Nickel Alloy, and Duplex**. Vessels can also include the following, at your option:

- ASME U, U2, U3 Certifications
- Low and High Pressure Designs
- Lethal Service
- Internal Coils
- Half-Pipe Jacket
- Dimple Jacket
- PMI - Positive Material Identification
- Pickling and Passivation
- PWHT & Stress Relieving









## COLUMNS & TOWERS

We deliver custom manufactured trayed and packed columns & towers built to your exact specifications. All our columns & towers are fabricated in strict accordance with ASME code and are available in **Stainless Steel, Carbon Steel, Nickel Alloy, and Duplex**, including:

- Adsorber Columns
- Amine Stills
- Condensate Stabilization
- Debutanizers
- Deethenizers
- Depropanizers
- Distillation Columns
- High Pressure Contactors
- Lethal Service Scrubbers
- Rectifying Columns
- Scrubber Columns
- Stabilizers
- Stripper Columns
- Vertical Absorbers









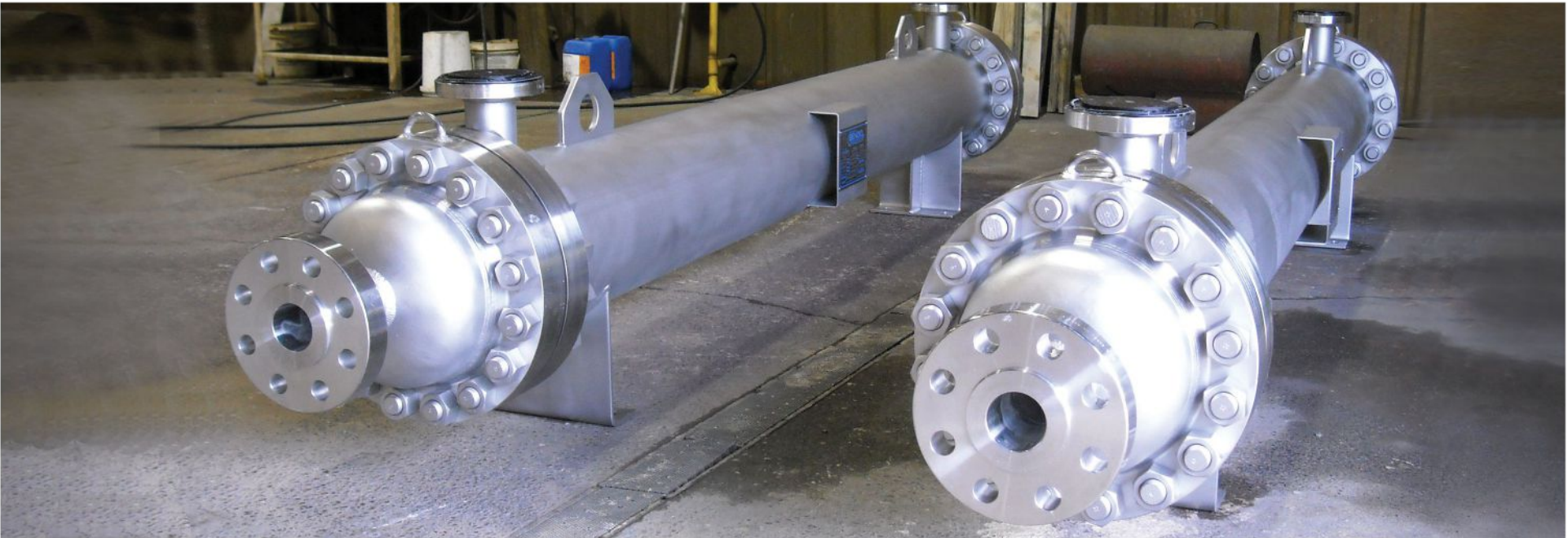
## Heat Exchangers

Bendel is a leading provider of custom engineered and fabricated shell and tube heat exchangers including:

- Fixed tubesheet
- Floating tubesheet
- U-tube

All our heat exchangers are designed to standard TEMA configurations and in accordance with **ASME Code, Section VIII, Division 1; TEMA class R, C & B; and API-660**. Our materials expertise includes: Stainless Steel, Carbon Steel, Nickel Alloy, Duplex.









# FABRICATION SOLUTIONS for Process Manufacturing

## Sales Contacts

**Sandy Morris**  
Market Director  
254-840-3355 office  
325-340-0216 mobile  
[smorris@bendelcorp.com](mailto:smorris@bendelcorp.com)

**Joe Schenberg**  
Director of Business  
Development  
405-205-4079 mobile  
[jschenberg@bendelcorp.com](mailto:jschenberg@bendelcorp.com)

**Fred Weissbach**  
Regional Sales Manager, Gulf Coast  
832-436-4626 office  
832-704-0806 mobile  
[weissbach@bendelcorp.com](mailto:weissbach@bendelcorp.com)

## Corporate Contacts

**Bill Beaver**  
President  
Office: 704-596-5112  
Direct: 704-526-2465  
[beaver@bendelcorp.com](mailto:beaver@bendelcorp.com)

**Jim Rozsa**  
Vice President, Operations  
FAX: (704) 597-5069  
DIRECT: 704-526-2476  
[rozsa@bendelcorp.com](mailto:rozsa@bendelcorp.com)

**Vince Petrucci**  
Vice President, Engineering  
Direct: (704) 526-2473  
Phone: (704) 596-5112  
[petrucci@bendelcorp.com](mailto:petrucci@bendelcorp.com)